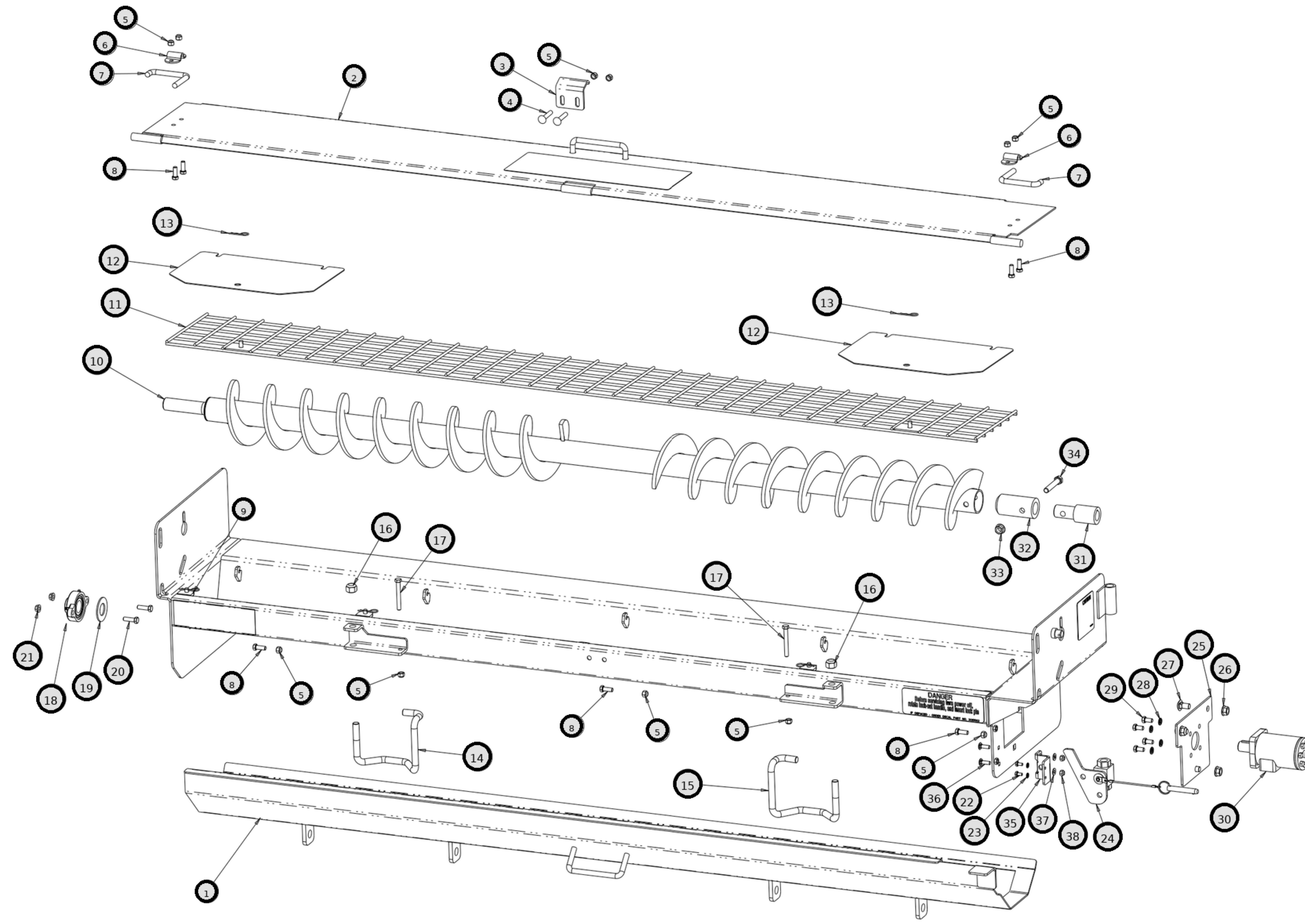




# UTS SPREADERS - HYDRAULIC

## FIGURE LIST

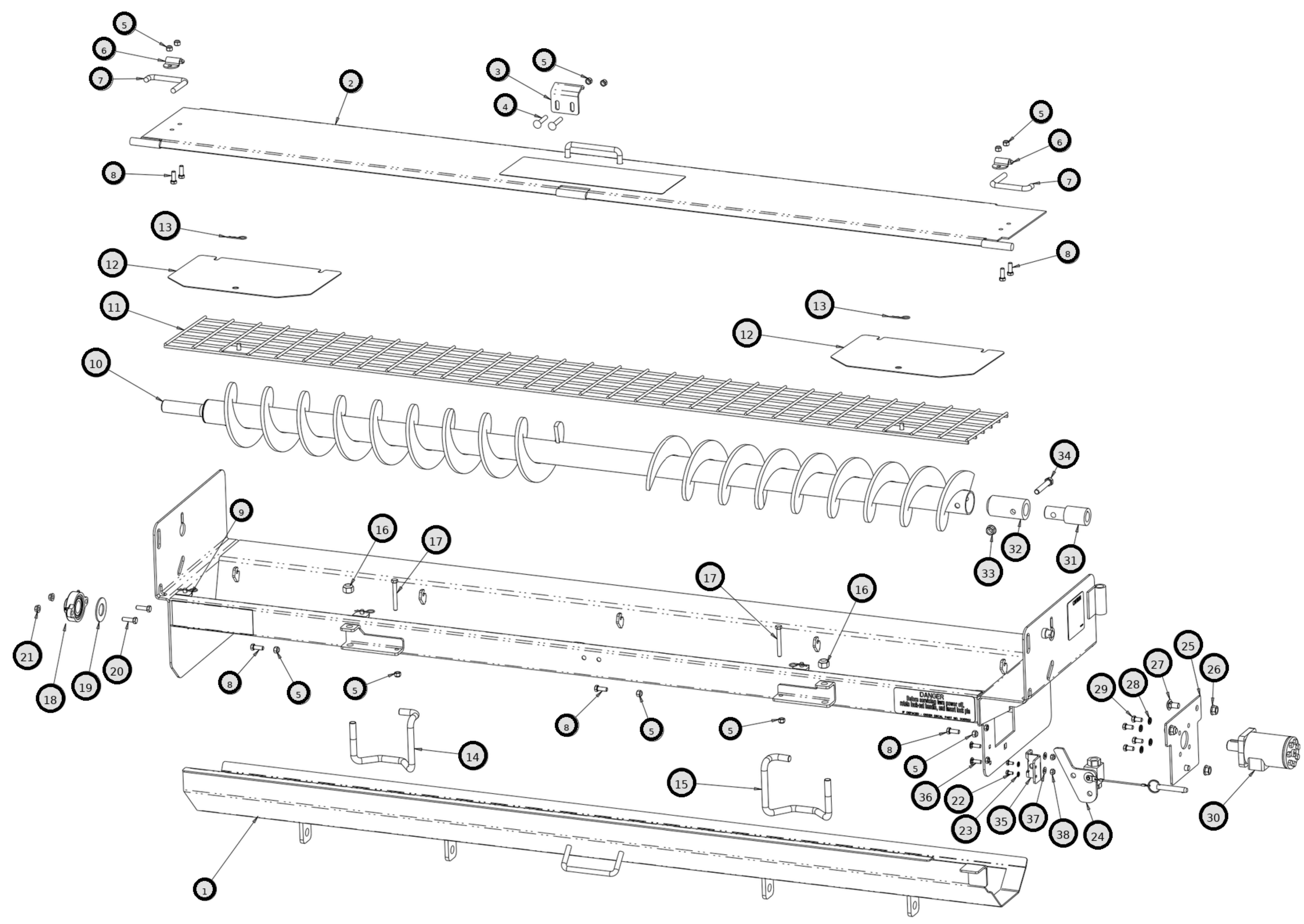
Page	Description
<b>1</b>	92429SSA MAIN ASSEMBLY
<b>3</b>	92429SSA DUAL SPINNER ASSEMBLY
<b>4</b>	92430SSA 92420SSA ASSEMBLY W BALL VALVE, PRE-2013
<b>6</b>	92430SSA 92426SSA 92425SSA 92421SSA 92420SSA ASSEMBLY W HOSE LOCKOUT SST
<b>8</b>	92430SSA 92426SSA 92425SSA 92421SSA 92420SSA AUGER REPLACEMENT KIT
<b>9</b>	92430SSA 92428SSA 92427SSA 92426SSA 92425SSA 92422SSA 92421SSA 92420SSA MAIN ASSEMBLY
<b>11</b>	92452SSA 92450SSA MAIN ASSEMBLY, 9IN AUGER
<b>12</b>	92452SSA 92450SSA 92430SSA 92429SSA 92428SSA 92427SSA 92426SSA 92425SSA 92422SSA 92421SSA 92420SSA ATTACHMENT HARDWARE
<b>13</b>	92452SSA 92450SSA 92430SSA 92428SSA 92427SSA 92426SSA 92425SSA 92422SSA 92421SSA 92420SSA SPINNER ASSEMBLY



REF	PN	DESCRIPTION
1	3043505	BOTTOM TRAY - DUAL DISCHARGE
2	3025122	TOP COVER
3	3027521	BRACKET, COVER MOUNT
4	FCB037516225SS	BOLT, CARRIAGE, 3/8-16 X 2.25
5	FNE038016044SS	NUT, NYLON LOCKING, 3/8-16
5	FNE038016044SS	NUT, NYLON LOCKING, 3/8-16
5	FNE038016044SS	NUT, NYLON LOCKING, 3/8-16
5	FNE038016044SS	NUT, NYLON LOCKING, 3/8-16
5	FNE038016044SS	NUT, NYLON LOCKING, 3/8-16
5	FNE038016044SS	NUT, NYLON LOCKING, 3/8-16
5	FNE038016044SS	NUT, NYLON LOCKING, 3/8-16
5	FNE038016044SS	NUT, NYLON LOCKING, 3/8-16
5	FNE038016044SS	NUT, NYLON LOCKING, 3/8-16
6	3006968	BRACKET, COVER LATCH
6	3006968	BRACKET, COVER LATCH
7	3000268	LATCH HANDLE
7	3000268	LATCH HANDLE
8	FCS038016100SS	SCREW, HEX HEAD CAP, 3/8-16 X 1
8	FCS038016100SS	SCREW, HEX HEAD CAP, 3/8-16 X 1
8	FCS038016100SS	SCREW, HEX HEAD CAP, 3/8-16 X 1
8	FCS038016100SS	SCREW, HEX HEAD CAP, 3/8-16 X 1
8	FCS038016100SS	SCREW, HEX HEAD CAP, 3/8-16 X 1
8	FCS038016100SS	SCREW, HEX HEAD CAP, 3/8-16 X 1
9	3022533	BRACKET, SCREEN MOUNT
10	3024512	AUGER
11	3043504	SCREEN - DUAL DISCHARGE
12	3023298	PLATE, ANTI-SPILL
12	3023298	PLATE, ANTI-SPILL
13	1420016	HAIRPIN COTTER
13	1420016	HAIRPIN COTTER
14	3027109	CAM HANDLE - CW
15	3027110	CAM HANDLE - CCW
16	3001247	NUT, NYLON LOCKING 5/8-11
16	3001247	NUT, NYLON LOCKING 5/8-11
17	3007068	SCREW, HEX HEAD CAP, 3/8-16 X 3
17	3007068	SCREW, HEX HEAD CAP, 3/8-16 X 3
18	9240086	BEARING, 1-1/4 FLANGE 2 HOLE
19	9240087	GASKET, FELT BEARING
20	FCS038016125SS	SCREW, HEX HEAD CAP, 3/8-16 X 1-1/4
21	3001255	NUT, HEX FLANGE, 3/8-16
22	3008549	SCREW, HEX HEAD CAP, 1/4-20 X 1/2
23	FWL025050006SS	WASHER, LOCKING, 1/4
24	3008523	BALL VALVE ASSEMBLY
25	3038963	PLATE, MOTOR MOUNT
26	3001523	NUT, HEX FLANGE, 1/2-13
27	3001522	BOLT, CARRIAGE, 1/2-13 X 1
28	FWL038069009SS	WASHER, LOCKING, 3/8
29	FCS038016075SS	SCREW, HEX HEAD CAP, 3/8-16 X 3/4
30	CM074P	HYDRAULIC MOTOR - DIRECT DRIVE
31	924F0084	MOTOR ADAPTER
32	9240083	SLEEVE, AUGER ADAPTER

**MAIN ASSEMBLY**

92429SSA

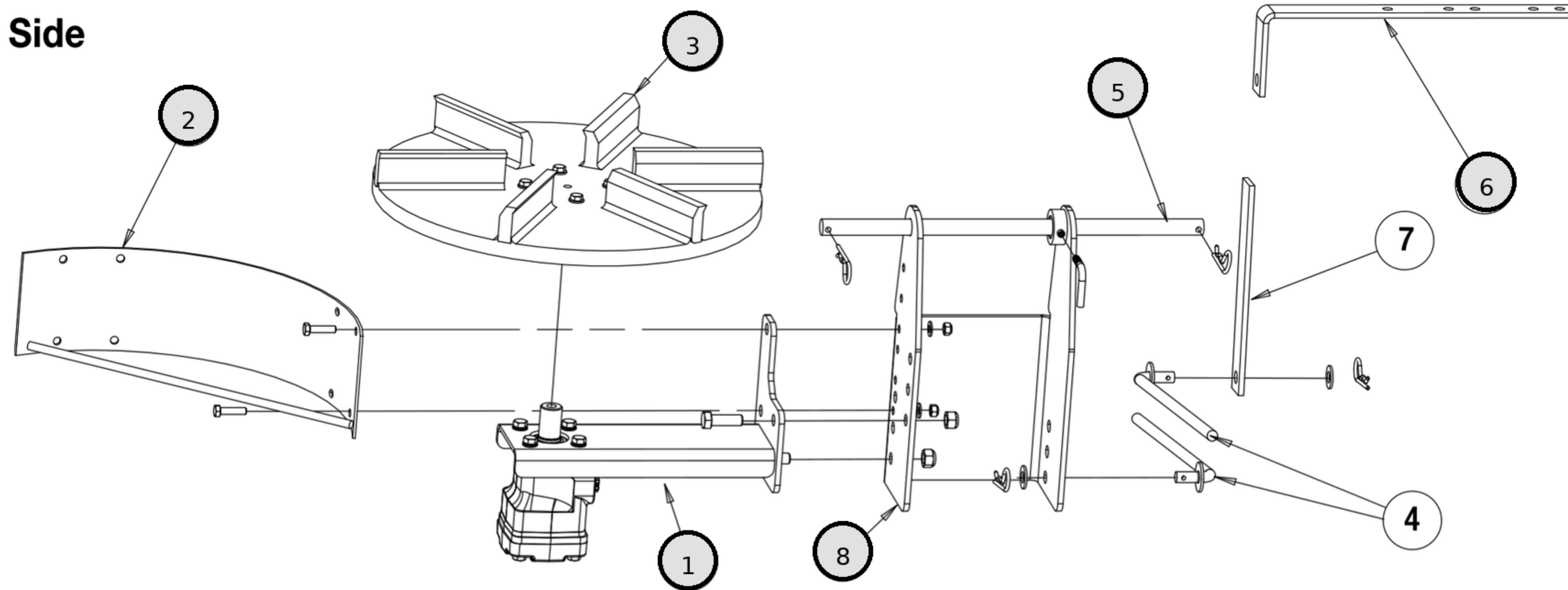


REF	PN	DESCRIPTION
33	3001253	NUT,HEX,REVERSIBLE,LOCKING 1/2-13
34	3001250	SCREW,HEX HEAD CAP,1/2-13 X 3
35	3052410	BRACKET, VALVE MOUNT
36	3026934	BOLT, CARRIAGE, 5/16-18 X 1 SST
37	FWF031075006SS	WASHER, FLAT, 5/16 X .688 X .065, SST
38	FNE031018034SS	NUT, NYLOCK, 5/16-18, GR A, SST

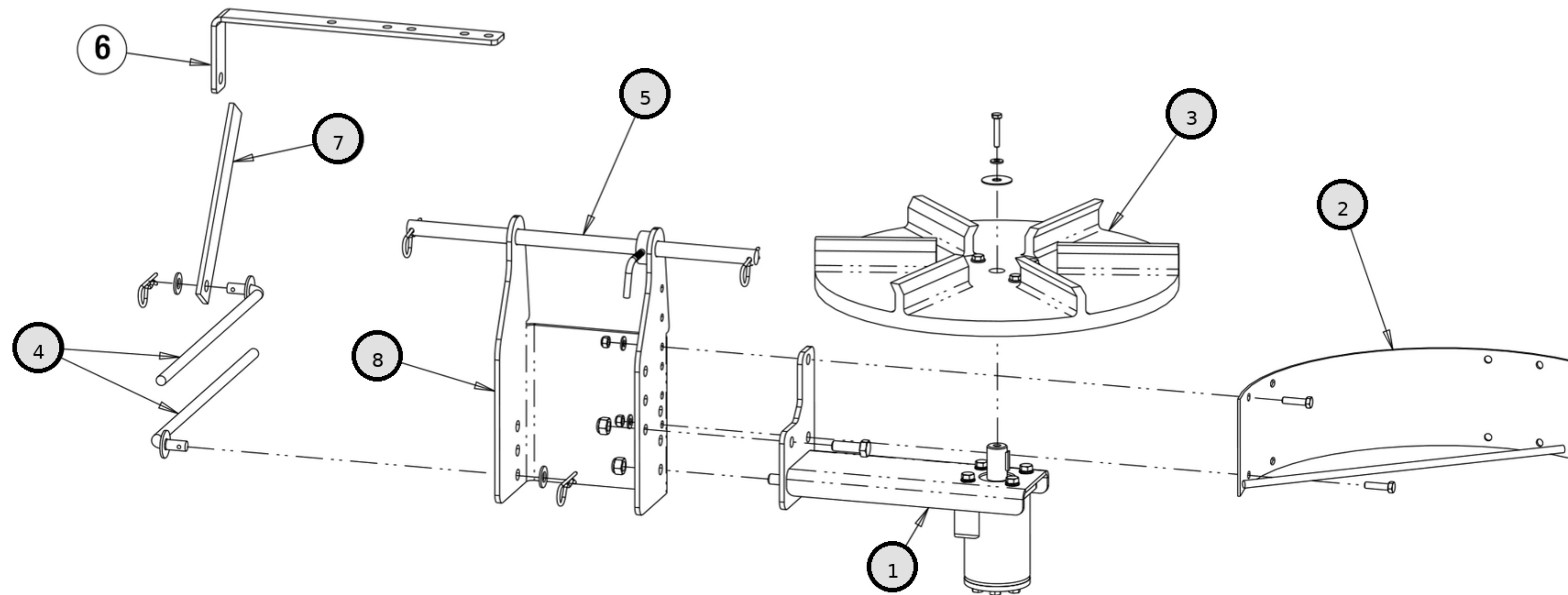
**MAIN ASSEMBLY**

92429SSA

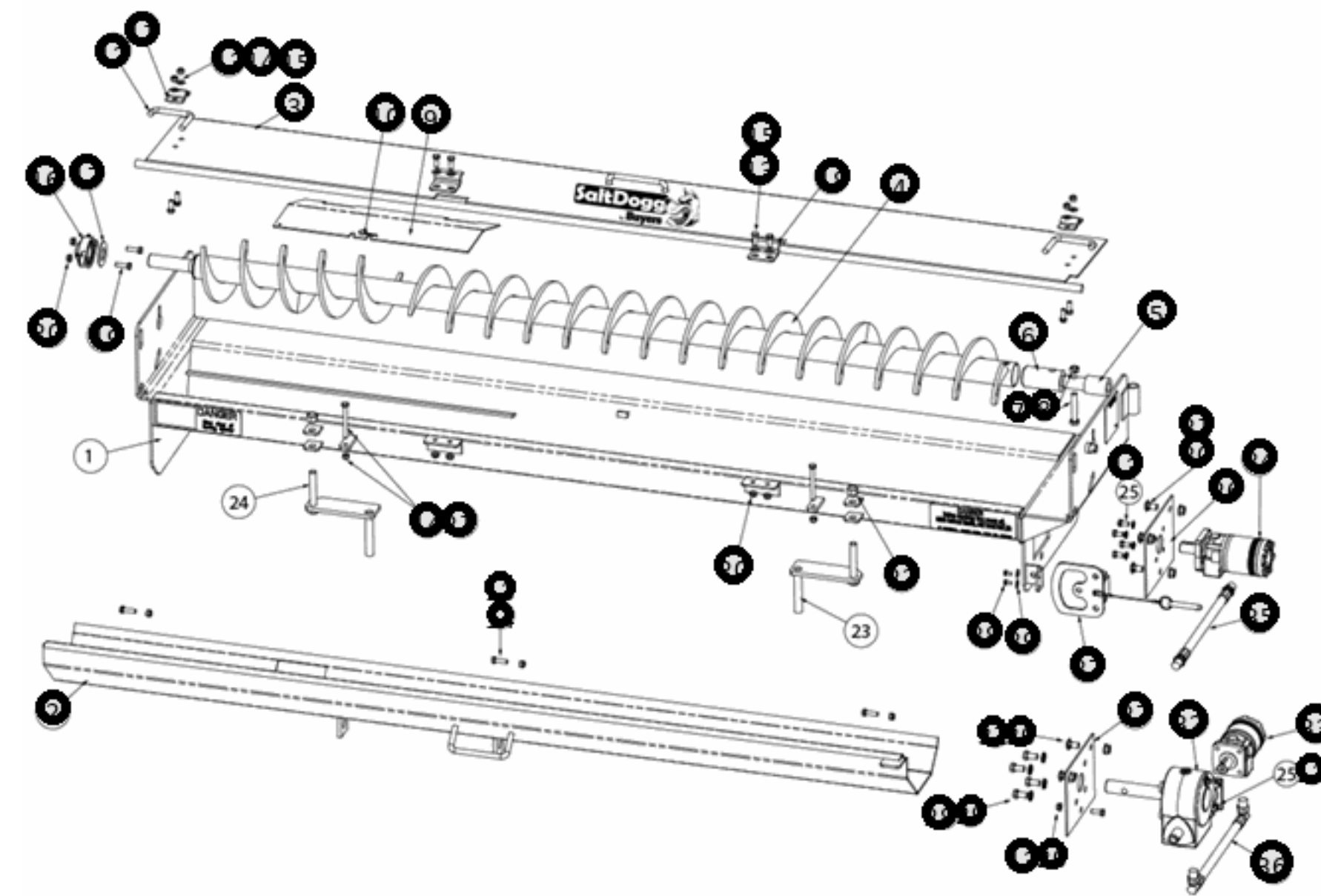
**Driver Side**



**Passenger Side**



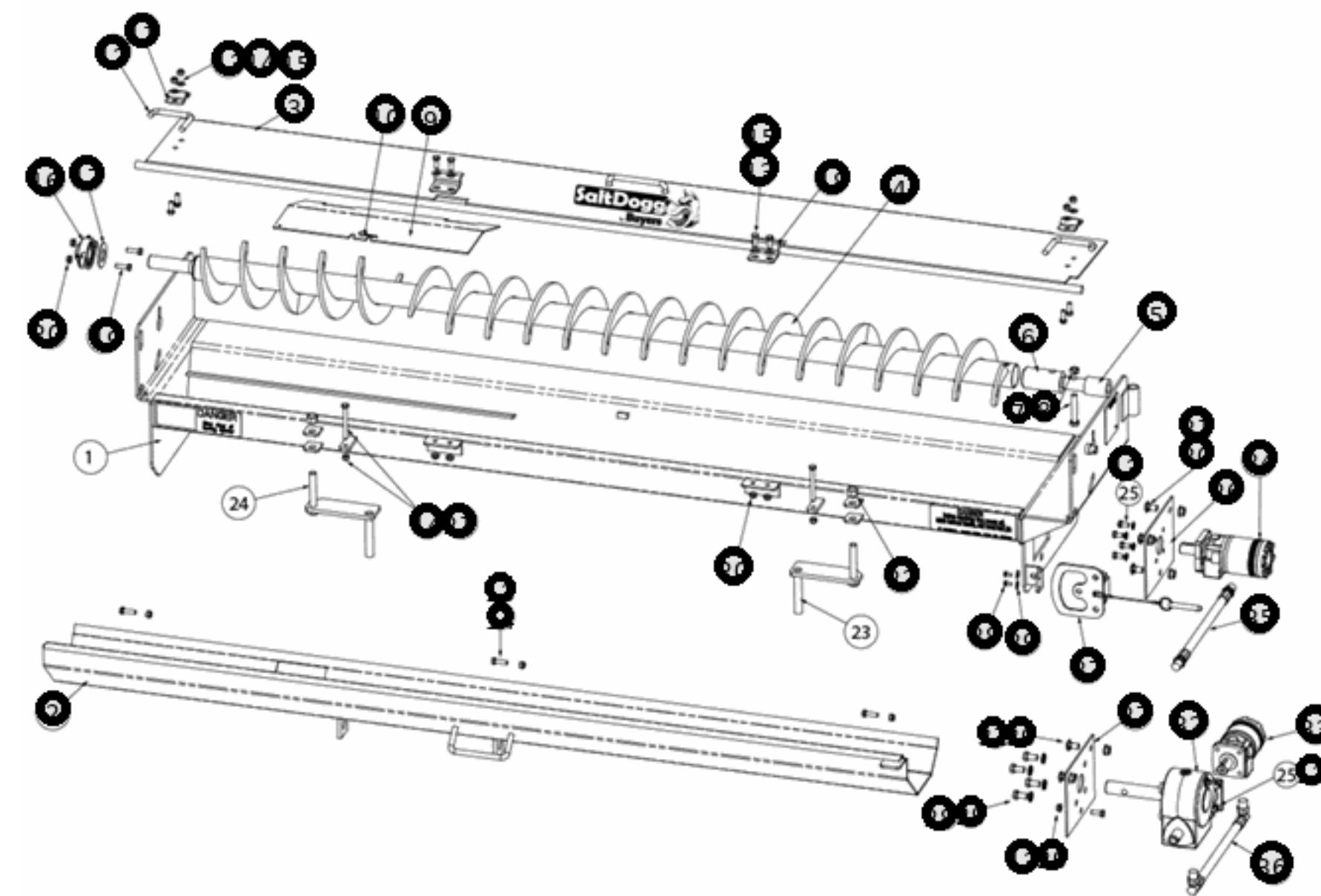
REF	PN	DESCRIPTION
1	3018416	SPINNER FRAME ASSY-STD
1	3018416	SPINNER FRAME ASSY-STD
1	3041111	SPINNER FRAME ASSY-PASSENGER SIDE
1	3041111	SPINNER FRAME ASSY-PASSENGER SIDE
2	3006659	SPINNER SHIELD
2	3006659	SPINNER SHIELD
3	3001472A	SPINNER DISK, CCW
3	3001472A	SPINNER DISK, CCW
3	3041115	SPINNER DISK, CW
3	3041115	SPINNER DISK, CW
4	924F0012	LINKAGE ROD, WELDED
5	3006646	HINGE ROD
5	3006646	HINGE ROD
6	3006645	SPINNER LUG
7	924F0014	BAR
8	3017175	HEIGHT ADJUSTMENT BRACKET-STD
8	3017175	HEIGHT ADJUSTMENT BRACKET-STD
8	3041113	HEIGHT ADJUSTMENT BRACKET-PASSENGER SIDE
8	3041113	HEIGHT ADJUSTMENT BRACKET-PASSENGER SIDE



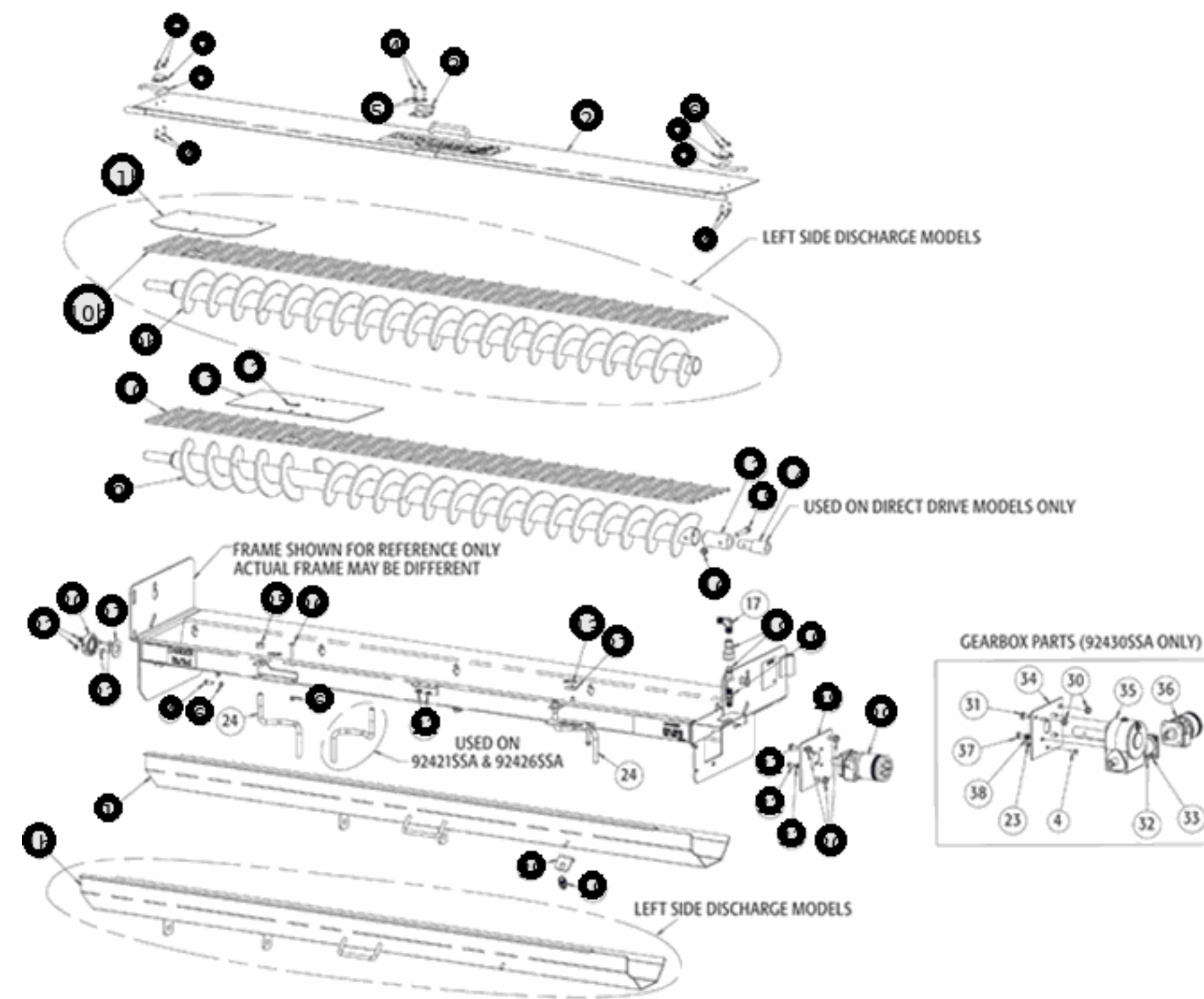
REF	PN	DESCRIPTION
2	3008429	TRAY,LOWER 96INFORMED FNISH
2	3008443	TRAY, LOWER WELDMENT, 96IN UTS
3	3006966	COVER,96IN, CS UTS WELDMENT
3	3012956	COVER,96IN SST UTS WELDMENT
4	924F0081	REPLACEMENT AUGER FOR 96 INCH SALTDogg® SPREADER
5	924F0084	ADAPTOR, FINISHED
6	9240083	SLEEVE, AUGER, (SDD)
7	3001250	SCREW,CAP,HEX HD,1/2-13 X 3
7	FCS050013300	SCREW, HEX CAP,1/2IN-13 X 3IN GR 5 ZN
8	3001253	NUT,HEX HD,REVERSIBLE LOCKNUT
8	92401213	NUT,REVERSIBLE HEX LOCK, 1/2-13
9	3000270	PLATE, SPINNER COVER-STAINLESS SERVICE
9	924F0105	COVER,SPINNER FNISH (SDD)
10	1420016	HAIR SPRING COTTER PIN,
11	3006965	CAP,BEARING,SAFETY ORANGE
11	3006968	BRACKET,SST COVER LATCH W/HOLES
12	3000268	HANDLE, STAINLESS LOCKING
12	9240063	HANDLE,LOCKING (SDD) ZINC
13	FCS038016100	SCREW,CAP,HEX HD3/8-16X1 GR5 Z
13	FCS038016100	SCREW,CAP,HEX HD3/8-16X1 GR5 Z
13	FCS038016100	SCREW,CAP,HEX HD3/8-16X1 GR5 Z
13	FCS038016100	SCREW,CAP,HEX HD3/8-16X1 GR5 Z
13	FCS038016100	SCREW,CAP,HEX HD3/8-16X1 GR5 Z
13	FCS038016100	SCREW,CAP,HEX HD3/8-16X1 GR5 Z
13	FCS038016100SS	SCREW CAP-3/8IN-16 X 1IN, HEX HEAD, SST
13	FCS038016100SS	SCREW CAP-3/8IN-16 X 1IN, HEX HEAD, SST
13	FCS038016100SS	SCREW CAP-3/8IN-16 X 1IN, HEX HEAD, SST
13	FCS038016100SS	SCREW CAP-3/8IN-16 X 1IN, HEX HEAD, SST
13	FCS038016100SS	SCREW CAP-3/8IN-16 X 1IN, HEX HEAD, SST
13	FCS038016100SS	SCREW CAP-3/8IN-16 X 1IN, HEX HEAD, SST
13	FCS038016100SS	SCREW CAP-3/8IN-16 X 1IN, HEX HEAD, SST
14	FNE038016044	NUT,HEX NYLOCK 3/8-16 ZN
14	FNE038016044	NUT,HEX NYLOCK 3/8-16 ZN
14	FNE038016044	NUT,HEX NYLOCK 3/8-16 ZN
14	FNE038016044SS	NUT-NYLOCK, 3/8-16 X 7/16 THK,SST
14	FNE038016044SS	NUT-NYLOCK, 3/8-16 X 7/16 THK,SST
14	FNE038016044SS	NUT-NYLOCK, 3/8-16 X 7/16 THK,SST
15	FWF038100007	WASHER-FLAT USS, 3/8, PLATED
15	FWF038100007	WASHER-FLAT USS, 3/8, PLATED
15	FWF038100007SS	WASHER-FLAT USS, 3/8IN, SST
15	FWF038100007SS	WASHER-FLAT USS, 3/8IN, SST
16	9240086	TAILGATE SPREADER AUGER BEARINGS
17	9240087	GASKET,FELT BEARING SDD
18	3008430	LATCH,COVER HINGE MOUNT BRKT FNISH
18	3008447	LATCH,COVER HNG MTG BRKT, SERVICE ONLY
19	FCS038016125	SCREW,CAP,3/8-16 X1-1/4 GR5 ZN
19	FCS038016125SS	SCREW,CAP-3/8IN-16 X 1-1/4INSST
20	3001255	NUT,HEX, SERRATED FLANGE 3/8-16, SST
20	3001255	NUT,HEX, SERRATED FLANGE 3/8-16, SST
20	3001255	NUT,HEX, SERRATED FLANGE 3/8-16, SST

## ASSEMBLY W/BALL VALVE, PRE-2013

92430SSA / 92420SSA



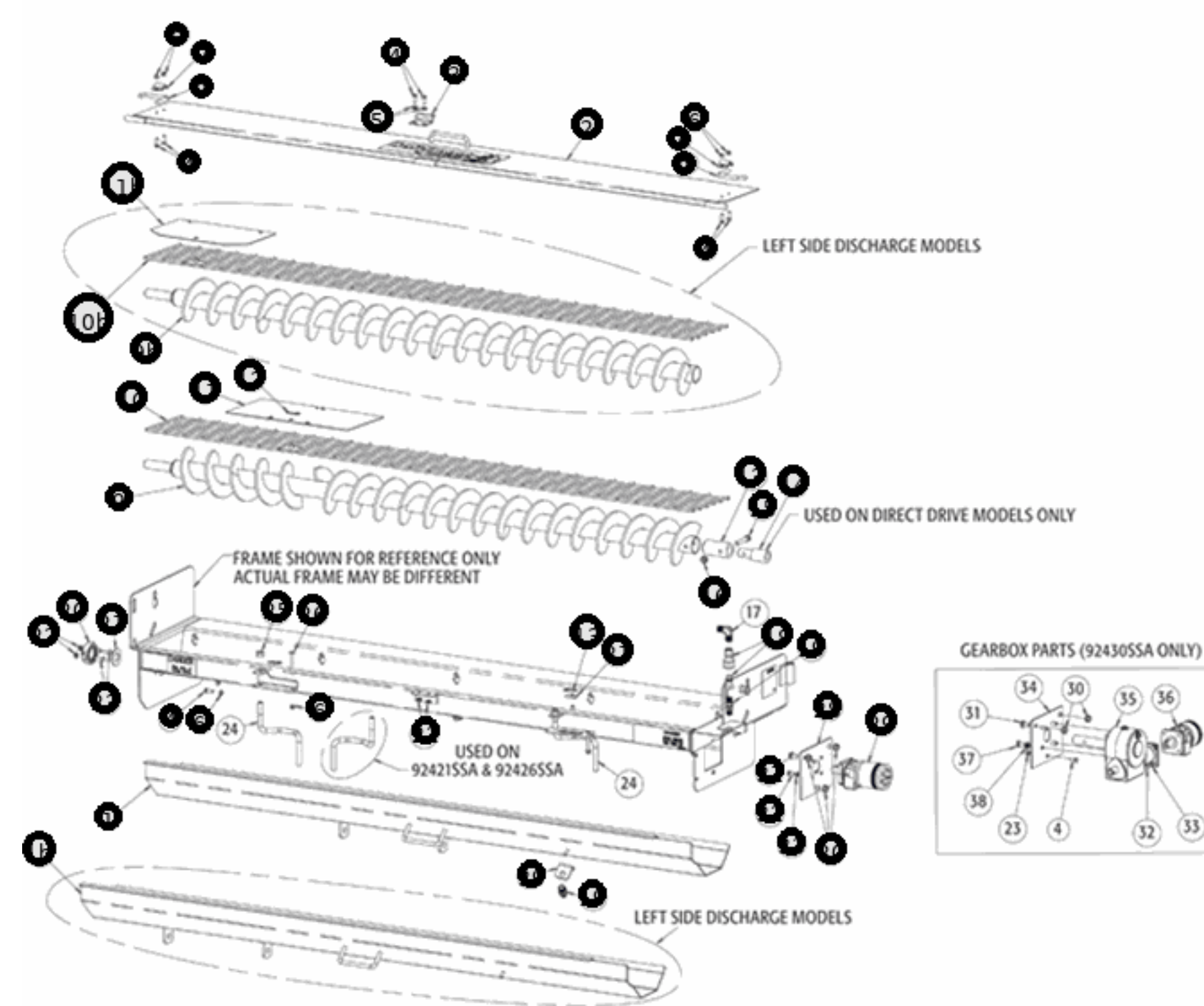
REF	PN	DESCRIPTION
20	92401211	NUT,HEX FLANGE 3/8IN-16IN ZINC
20	92401211	NUT,HEX FLANGE 3/8IN-16IN ZINC
20	92401211	NUT,HEX FLANGE 3/8IN-16IN ZINC
21	3001249	SCREW,CAP,HEX HD,3/8-16X 3-1/2 SST
21	FCS038016350	SCREW,CAP 3/8IN-16X3-1/2INGR5 ZN
22	3001247	NUT,HEX,NYLON INSERT, 5/8-11
22	FNE063011069	SAM BULK CUTTING EDGE NUTS AND BOLTS TO FIT FISHER® SNOW PLOWS
26	3000458	PLATE, MOTOR MOUNT UTS
26	3001367	PLATE, MOTOR MOUNT
27	3000457	PLATE, GEARBOX MOUNT
27	3001366	PLATE, GEARBOX MOUNT-STAINLESS
28	FCS050013100	SCREW,CAP 1/2-13 X 1IN GR 5 ZN
28	FCS050013100SS	SCREW,CAP-1/2IN-13 X 1IN, HEX
29	FWL050088013	WASHER,SPLIT LOCK 1/2INZINC PLD
29	FWL050088013SS	WASHER,SPLIT LOCK,1/2IN,SST
30	3001523	NUT,HEX, SERRATED FLANGE,1/2-13, SST
30	3001523	NUT,HEX, SERRATED FLANGE,1/2-13, SST
30	92401212	NUT, HEX FLANGE 1/2IN-13, ZINC
30	92401212	NUT, HEX FLANGE 1/2IN-13, ZINC
31	3001522	BOLT,CARRIAGE,1/2-13 X 1 SST
31	3001522	BOLT,CARRIAGE,1/2-13 X 1 SST
31	FCB050013100	BOLT,CARRIAGE, 1/2-13 X 1, GR 5, ZN
31	FCB050013100	BOLT,CARRIAGE, 1/2-13 X 1, GR 5, ZN
32	9240089	GEARBOX, 5:1
33	CM034P	REPLACEMENT 17.9 CIR HYDRAULIC AUGER MOTOR FOR SALTDogg® SPREADER
34	CM074P	HYDRAULIC MOTOR
35	3008112	HOSE,UTS,DIRECT DRIVE
36	3008113	HOSE,UTS,GEAR, MOTOR
37	3008523	BALL VALVE ASSEMBLY,UTS
38	3008549	SCREW,HEX HD CAP,1/4-20 X .500IN, SST
39	FWL025050006SS	WASHER,SPLIT LOCK,1/4IN,SST



REF	PN	DESCRIPTION
1	3008443	TRAY, LOWER WELDMENT, 96IN UTS
1	3024504	TRAY,WELDMENT,UTS SST SPECIAL
1B	3017489	TRAY,WELDMENT,UTS DS DROP SST
1B	3020636	TRAY,WELDMENT,UTS SST SPECIAL
2	3025122	WELDMENT,COVER,96IN UTS SST
3	3008430	LATCH,COVER HINGE MOUNT BRKT FNISH
3	3008447	LATCH,COVER HNG MTG BRKT, SERVICE ONLY
4	FCS038016100	SCREW,CAP,HEX HD3/8-16X1 GR5 Z
4	FCS038016100	SCREW,CAP,HEX HD3/8-16X1 GR5 Z
4	FCS038016100	SCREW,CAP,HEX HD3/8-16X1 GR5 Z
4	FCS038016100	SCREW,CAP,HEX HD3/8-16X1 GR5 Z
4	FCS038016100SS	SCREW CAP-3/8IN-16 X 1IN, HEX HEAD, SST
4	FCS038016100SS	SCREW CAP-3/8IN-16 X 1IN, HEX HEAD, SST
4	FCS038016100SS	SCREW CAP-3/8IN-16 X 1IN, HEX HEAD, SST
4	FCS038016100SS	SCREW CAP-3/8IN-16 X 1IN, HEX HEAD, SST
5	FWF038100007	WASHER-FLAT USS, 3/8, PLATED
5	FWF038100007SS	WASHER-FLAT USS, 3/8IN, SST
6	FNE038016044	NUT,HEX NYLOCK 3/8-16 ZN
6	FNE038016044	NUT,HEX NYLOCK 3/8-16 ZN
6	FNE038016044	NUT,HEX NYLOCK 3/8-16 ZN
6	FNE038016044	NUT,HEX NYLOCK 3/8-16 ZN
6	FNE038016044SS	NUT-NYLOCK, 3/8-16 X 7/16 THK,SST
6	FNE038016044SS	NUT-NYLOCK, 3/8-16 X 7/16 THK,SST
6	FNE038016044SS	NUT-NYLOCK, 3/8-16 X 7/16 THK,SST
6	FNE038016044SS	NUT-NYLOCK, 3/8-16 X 7/16 THK,SST
7	3006965	CAP,BEARING,SAFETY ORANGE
7	3006965	CAP,BEARING,SAFETY ORANGE
7	3006968	BRACKET,SST COVER LATCH W/HOLES
7	3006968	BRACKET,SST COVER LATCH W/HOLES
8	3000268	HANDLE, STAINLESS LOCKING
8	3000268	HANDLE, STAINLESS LOCKING
8	9240063	HANDLE,LOCKING (SDD) ZINC
8	9240063	HANDLE,LOCKING (SDD) ZINC
9	924F0081	REPLACEMENT AUGER FOR 96 INCH SALTDogg® SPREADER
9B	3017487	REPLACEMENT DRIVERS SIDE DISCHARGE AUGER FOR SALTDogg® 92425SSA AND 92426SSA SPREADERS
10	3024306	SCREEN,WELDMENT,UTS STD DISCHARGE
10B	3023297	SCREEN,WELDMENT,UTS DS DISCHARGE
11	3022531	PLATE,SPINNER COVER,SST STD DISCHARGE
11B	3023298	PLATE,SPINNER COVER,SST DS DISCHARGE
12	1420016	HAIR SPRING COTTER PIN,
13	9240083	SLEEVE, AUGER, (SDD)
13	9240083	SLEEVE, AUGER, (SDD)
14	924F0084	ADAPTOR, FINISHED
15	3001250	SCREW,CAP,HEX HD,1/2-13 X 3
15	FCS050013300	SCREW, HEX CAP,1/2IN-13 X 3IN GR 5 ZN
16	3001253	NUT,HEX HD,REVERSIBLE LOCKNUT
16	92401213	NUT,REVERSIBLE HEX LOCK, 1/2-13
18	B40004	SLEEVE-TYPE HYDRAULIC QUICK COUPLER 1/2 NPT
18	B400041	QUICK COUPLER 1/2IN (MALE END)

## ASSEMBLY W/HOSE LOCKOUT SST

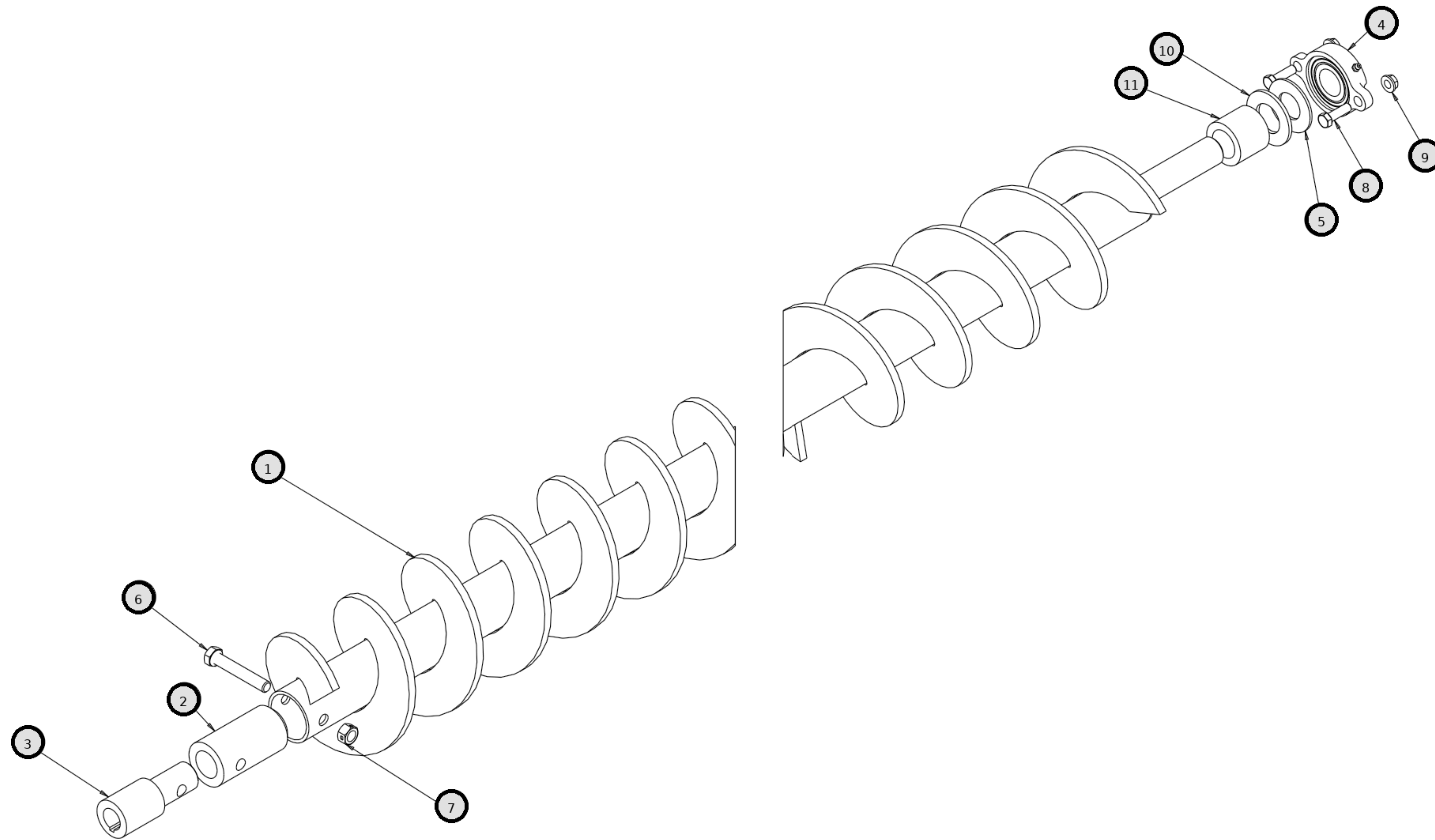
92430SSA / 92426SSA / 92425SSA / 92421SSA / 92420SSA



REF	PN	DESCRIPTION
18	B400042	QUICK COUPLER 1/2IN(FEMALE END)
19	H2706LNX8X8	FITTING,BULKHEAD,1/2IN MNPT X 1/2IN MJIC
19	H2706LNX8X8	FITTING,BULKHEAD,1/2IN MNPT X 1/2IN MJIC
20	9240086	TAILGATE SPREADER AUGER BEARINGS
21	9240087	GASKET,FELT BEARING SDD
22	3001255	NUT,HEX, SERRATED FLANGE 3/8-16, SST
22	3001255	NUT,HEX, SERRATED FLANGE 3/8-16, SST
22	92401211	NUT,HEX FLANGE 3/8IN-16IN ZINC
22	92401211	NUT,HEX FLANGE 3/8IN-16IN ZINC
23	FCS038016125	SCREW,CAP,3/8-16 X1-1/4 GR5 ZN
23	FCS038016125SS	SCREW,CAP-3/8IN-16 X 1-1/4INSST
25	3001247	NUT,HEX,NYLON INSERT, 5/8-11
25	FNE063011069	SAM BULK CUTTING EDGE NUTS AND BOLTS TO FIT FISHER® SNOW PLOWS
26	3007068	SCREW,CAP,HEX HD,3/8-16X 3 SST
26	FCS038016300	SCREW,CAP,3/8IN-16 X3IN GR.5
27	3022533	BRACKET,UTS SCREEN MOUNT
28	3000458	PLATE, MOTOR MOUNT UTS
28	3001367	PLATE, MOTOR MOUNT
29	CM074P	HYDRAULIC MOTOR
30	3001523	NUT,HEX, SERRATED FLANGE,1/2-13, SST
30	92401212	NUT, HEX FLANGE 1/2IN-13, ZINC
31	3001522	BOLT,CARRIAGE,1/2-13 X 1 SST
31	3001522	BOLT,CARRIAGE,1/2-13 X 1 SST
31	FCB050013100	BOLT,CARRIAGE, 1/2-13 X 1, GR 5, ZN
31	FCB050013100	BOLT,CARRIAGE, 1/2-13 X 1, GR 5, ZN
32	9240125	SCREW,CAP,3/8IN-16 X 3/4INGR5 ZN
32	FCS038016075SS	SCREW,HEX HD CAP 3/8-16X3/4SST
33	FWL038069009	WASHER,SPLIT LOCK 3/8IN,ZINC
33	FWL038069009SS	WASHER,SPLIT LOCK, 3/8IN, SST
34	3000457	PLATE, GEARBOX MOUNT
34	3001366	PLATE, GEARBOX MOUNT-STAINLESS
35	9240089	GEARBOX, 5:1
36	CM034P	REPLACEMENT 17.9 CIR HYDRAULIC AUGER MOTOR FOR SALTDogg® SPREADER
37	FCS050013100	SCREW,CAP 1/2-13 X 1IN GR 5 ZN
37	FCS050013100SS	SCREW,CAP-1/2IN-13 X 1IN, HEX
38	FWL050088013	WASHER,SPLIT LOCK 1/2INZINC PLD
38	FWL050088013SS	WASHER,SPLIT LOCK,1/2IN,SST
39	3023290	BRACKET,FITTING MOUNT,BOLT ON SST
39	3026625	COVER,96IN CS UTS

## ASSEMBLY W/HOSE LOCKOUT SST

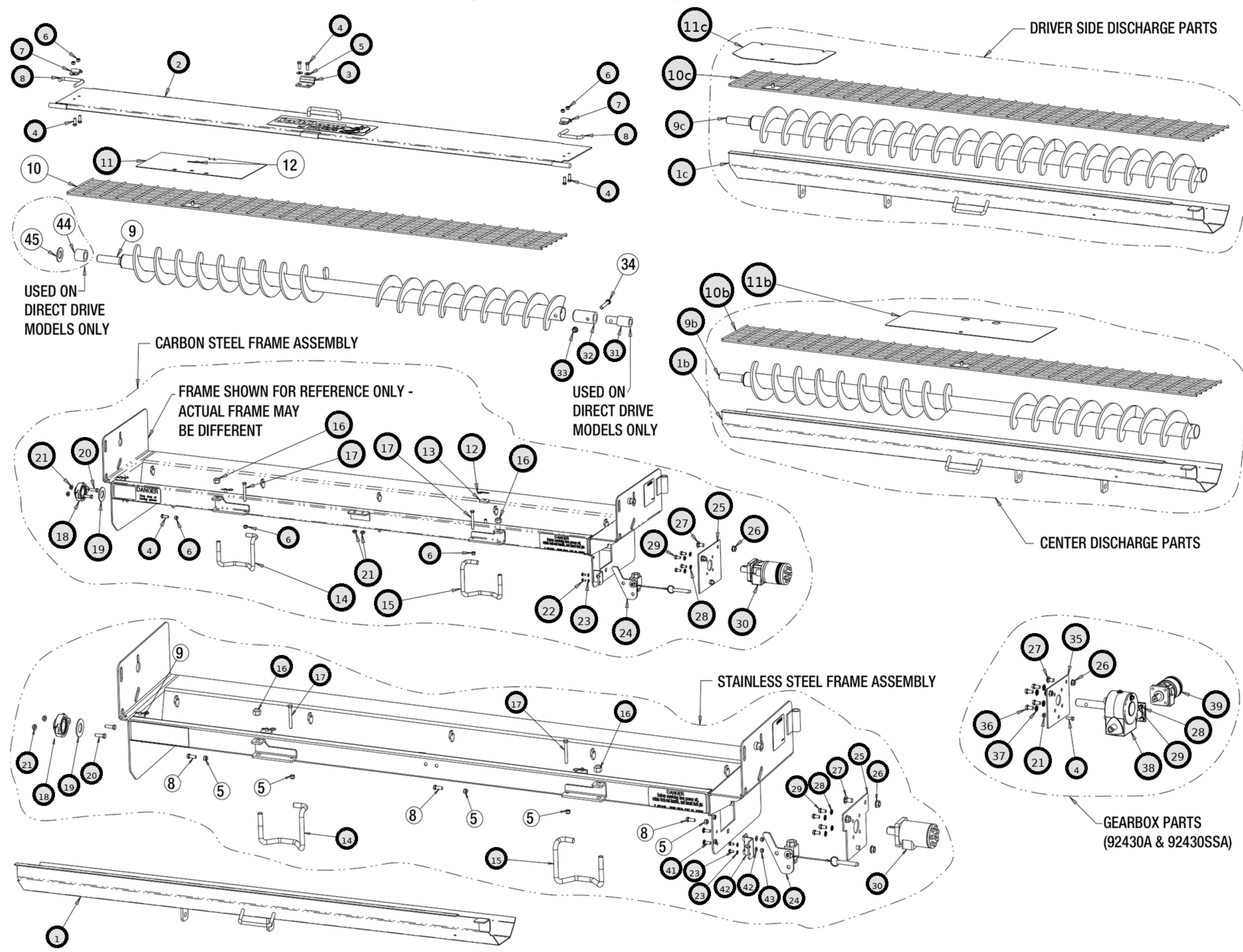
92430SSA / 92426SSA / 92425SSA / 92421SSA / 92420SSA



REF	PN	DESCRIPTION
1-11	3026661	COMPLETE AUGER KIT -DRIVE SIDE DISCHARGE (92425SSA/92426SSA)
1-11	924F0081AK	COMPLETE AUGER KIT - STD DISCHARGE (92420SSA/92430SSA/92421SSA)
1	3017487	LEFT SIDE DISCHARGE AUGER
1	924F0081	STANDARD DISCHARGE AUGER
2	9240083	ADAPTER SLEEVE
3	924F0084	SHAFT ADAPTER
4	9240086	BEARING
5	9240087	FELT GASKET
6	FCS050013300	HEX HD CAP SCREW 1/2IN-13X3IN
7	3002218	LOCKNUT, CENTER LOCK, 1/2IN-13
8	FCS038016125	HEX HD CAP SCREW 3/8-16X1-1/4IN
9	92401211	NUT, HEX FLANGE, 3/8-16
10	3053824	FLATWASHER, 1-1/4 SAE
11	3054062	SPACER TUBE, UTS AUGER

## AUGER REPLACEMENT KIT

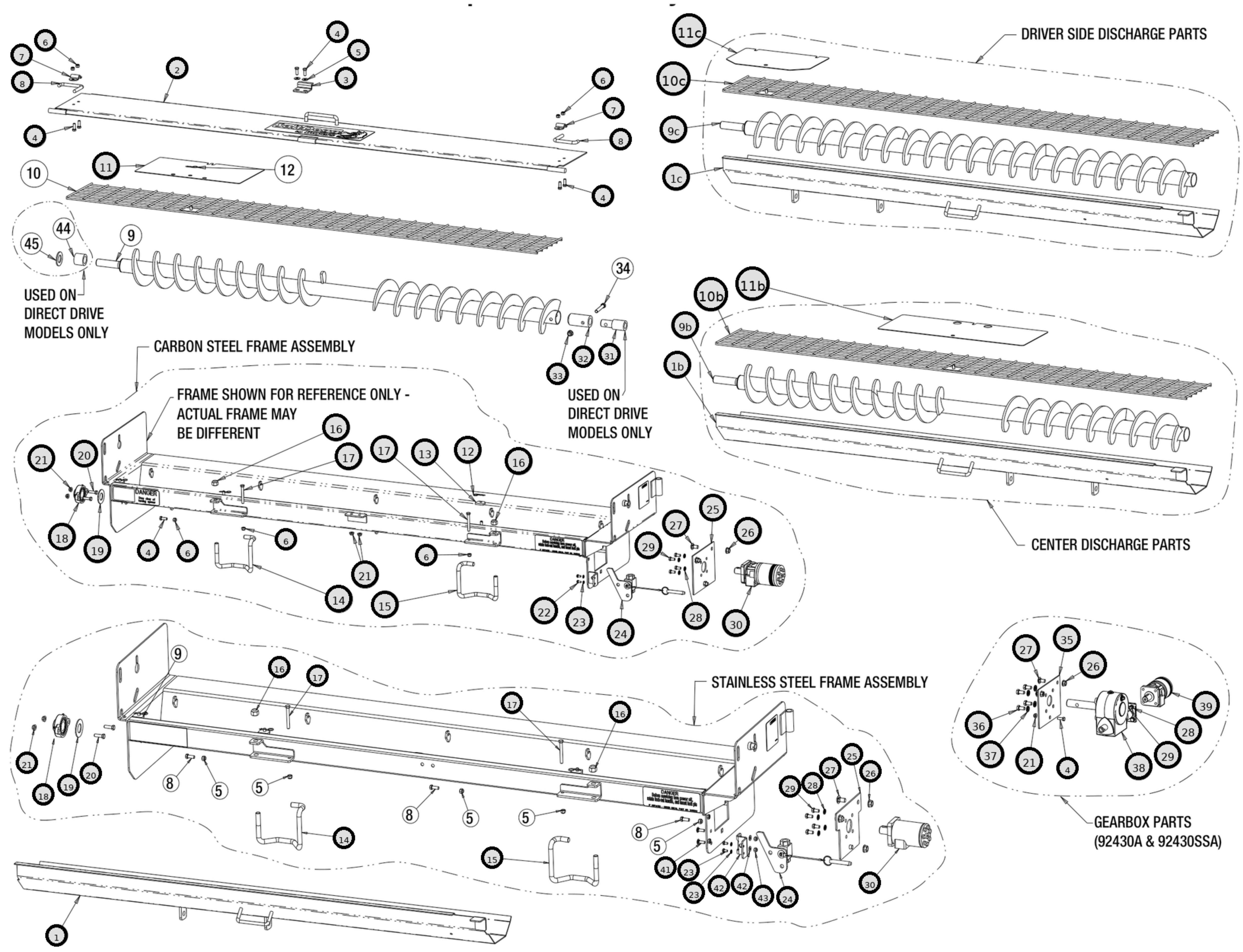
92430SSA / 92426SSA / 92425SSA / 92421SSA / 92420SSA



REF	PN	DESCRIPTION
1	3024301	BOTTOM TRAY - STANDARD DISCHARGE
1B	3024515	BOTTOM TRAY - CENTER DISCHARGE
1C	3017489	BOTTOM TRAY - DRIVER SIDE DISCHARGE
2	3025122	TOP COVER
3	3008447	BRACKET, COVER MOUNT
4	FCS038016100SS	SCREW,HEX HEAD CAP, 3/8-16 X 1
4	FCS038016100SS	SCREW,HEX HEAD CAP, 3/8-16 X 1
4	FCS038016100SS	SCREW,HEX HEAD CAP, 3/8-16 X 1
4	FCS038016100SS	SCREW,HEX HEAD CAP, 3/8-16 X 1
4	FCS038016100SS	SCREW,HEX HEAD CAP, 3/8-16 X 1
5	FWF038100007SS	WASHER,FLAT, 3/8IN
6	FNE038016044SS	NUT,NYLON LOCKING, 3/8-16
6	FNE038016044SS	NUT,NYLON LOCKING, 3/8-16
6	FNE038016044SS	NUT,NYLON LOCKING, 3/8-16
6	FNE038016044SS	NUT,NYLON LOCKING, 3/8-16
6	FNE038016044SS	NUT,NYLON LOCKING, 3/8-16
7	3006968	BRACKET, COVER LATCH
7	3006968	BRACKET, COVER LATCH
8	3000268	LATCH HANDLE
8	3000268	LATCH HANDLE
9	3033826	AUGER - STANDARD DISCHARGE - HARDFACED (92422)
9	924F0081	AUGER - STANDARD DISCHARGE (92420/92421/92430/92431)
9B	3024512	AUGER - CENTER DISCHARGE (92428)
9C	3017487	AUGER - DRIVER SIDE DISCHARGE (92425/92426)
9C	3033830	AUGER - DRIVER SIDE DISCHARGE - HARDFACED (92427)
10	3024306	SCREEN - STANDARD DISCHARGE
10B	3024518	SCREEN - CENTER DISCHARGE
10C	3023297	SCREEN - DRIVER SIDE DISCHARGE
11	3022531	PLATE,ANTI-SPILL - STANDARD DISCHARGE
11B	3024517	PLATE,ANTI-SPILL - CENTER DISCHARGE
11C	3023298	PLATE,ANTI-SPILL - DRIVER SIDE DISCHARGE
12	1420016	HAIRPIN COTTER
13	3022533	BRACKET,SCREEN MOUNT
14	3027109	CAM HANDLE - CW
14	3027109	CAM HANDLE - CW
15	3027110	CAM HANDLE - CCW
15	3027110	CAM HANDLE - CCW
16	3001247	NUT,NYLON LOCKING 5/8-11
16	3001247	NUT,NYLON LOCKING 5/8-11
16	3001247	NUT,NYLON LOCKING 5/8-11
16	3001247	NUT,NYLON LOCKING 5/8-11
17	3007068	SCREW,HEX HEAD CAP, 3/8-16 X 3
17	3007068	SCREW,HEX HEAD CAP, 3/8-16 X 3
17	3007068	SCREW,HEX HEAD CAP, 3/8-16 X 3
17	3007068	SCREW,HEX HEAD CAP, 3/8-16 X 3
18	9240086	BEARING,1-1/4 FLANGE 2 HOLE
18	9240086	BEARING,1-1/4 FLANGE 2 HOLE
19	9240087	GASKET,FELT BEARING
19	9240087	GASKET,FELT BEARING

## MAIN ASSEMBLY

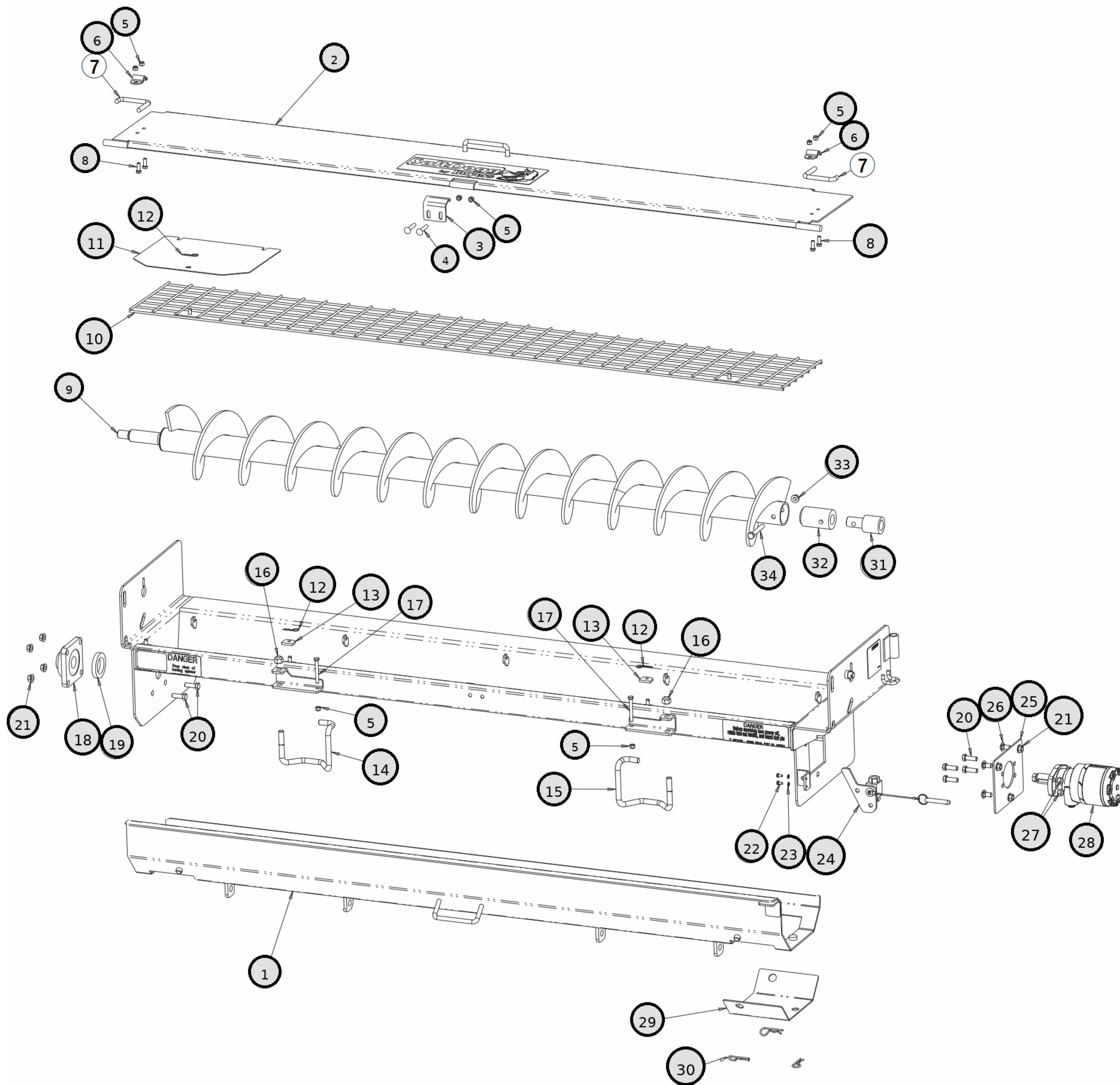
92430SSA / 92428SSA / 92427SSA / 92426SSA / 92425SSA / 92422SSA / 92421SSA / 92420SSA



REF	PN	DESCRIPTION
20	FCS038016125SS	SCREW,HEX HEAD CAP, 3/8-16 X 1-1/4
20	FCS038016125SS	SCREW,HEX HEAD CAP, 3/8-16 X 1-1/4
21	3001255	NUT,HEX FLANGE,3/8-16
21	3001255	NUT,HEX FLANGE,3/8-16
21	3001255	NUT,HEX FLANGE,3/8-16
21	3001255	NUT,HEX FLANGE,3/8-16
22	3008549	SCREW,HEX HEAD CAP, 1/4-20 X 1/2
22	3008549	SCREW,HEX HEAD CAP, 1/4-20 X 1/2
23	FWL025050006SS	WASHER,LOCKING,1/4
23	FWL025050006SS	WASHER,LOCKING,1/4
23	FWL025050006SS	WASHER,LOCKING,1/4
24	3008523	BALL VALVE ASSEMBLY
24	3008523	BALL VALVE ASSEMBLY
25	3038963	PLATE,MOTOR MOUNT
25	3038963	PLATE,MOTOR MOUNT
26	3001523	NUT,HEX FLANGE,1/2-13
26	3001523	NUT,HEX FLANGE,1/2-13
26	3001523	NUT,HEX FLANGE,1/2-13
27	3001522	BOLT,CARRIAGE,1/2-13 X 1
27	3001522	BOLT,CARRIAGE,1/2-13 X 1
27	3001522	BOLT,CARRIAGE,1/2-13 X 1
28	FWL038069009SS	WASHER,LOCKING,3/8
28	FWL038069009SS	WASHER,LOCKING,3/8
28	FWL038069009SS	WASHER,LOCKING,3/8
28	FWL038069009SS	WASHER,LOCKING,3/8
29	FCS038016075SS	SCREW,HEX HEAD CAP,3/8-16 X 3/4
29	FCS038016075SS	SCREW,HEX HEAD CAP,3/8-16 X 3/4
29	FCS038016075SS	SCREW,HEX HEAD CAP,3/8-16 X 3/4
30	CM074P	HYDRAULIC MOTOR - DIRECT DRIVE MODELS ONLY
30	CM074P	HYDRAULIC MOTOR - DIRECT DRIVE MODELS ONLY
31	924F0084	MOTOR ADAPTER
32	9240083	SLEEVE,AUGER ADAPTER
33	3001253	NUT,HEX,REVERSIBLE,LOCKING 1/2-13
34	3001250	SCREW,HEX HEAD CAP,1/2-13 X 3
35	3053473	PLATE,GEARBOX MOUNT
36	FCS050013100SS	SCREW,HEX HEAD CAP,1/2-13 X 1
37	FWL050088013SS	WASHER,LOCKING,1/2
38	9240089	GEARBOX
39	CM034P	HYDRAULIC MOTOR - GEARBOX MODEL ONLY
40	3052410	BRACKET, VALVE MOUNT
41	3026934	BOLT, CARRIAGE, 5/16-18 X 1 SST
42	FWF031075006SS	WASHER, FLAT, 5/16 X .688 X .065, SST
42	FWF031075006SS	WASHER, FLAT, 5/16 X .688 X .065, SST
43	FNE031018034SS	NUT, NYLOCK, 5/16-18, GR A, SST
44	3054062	TUBE, SPACER, UTS AUGER, DD
45	3053824	WASHER,FLAT, 1-1/4 SAE

## MAIN ASSEMBLY

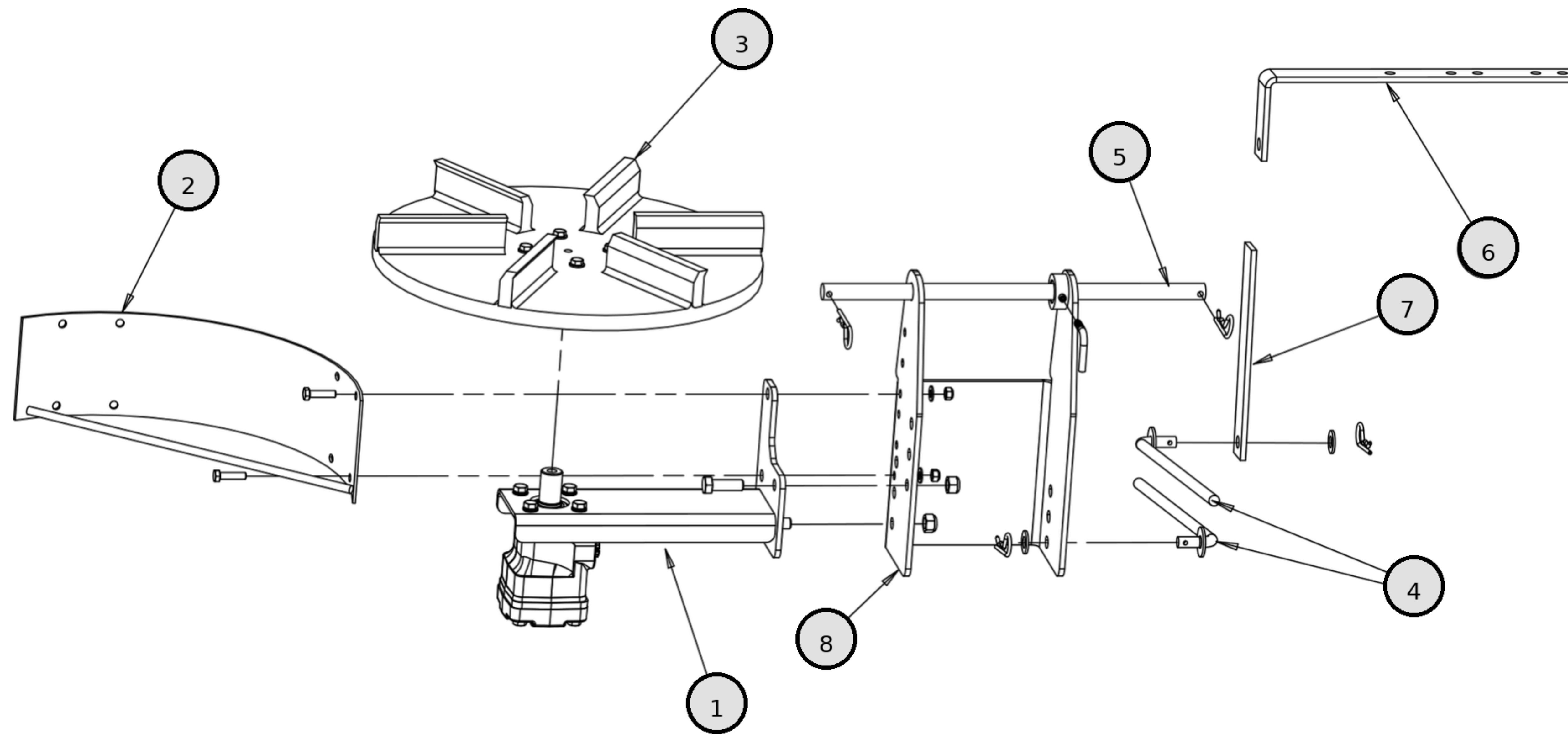
92430SSA / 92428SSA / 92427SSA / 92426SSA / 92425SSA / 92422SSA / 92421SSA / 92420SSA



REF	PN	DESCRIPTION
ACC	92451SS	REPLACEMENT STAINLESS STEEL UNDER TAILGATE BERM CHUTE FOR SALTDogg® SPREADER
1	3031440	TRAY,WELDMNT,UTS SST 9IN
2	3031442	COVER,WELDMNT,UTS SST 9IN
3	3027521	LATCH,BRACKET,UTS COVER SST
4	FCB037516225SS	BOLT,CARRIAGE,3/8-16 X 2.25, SST
5	FNE038016044SS	NUT-NYLOCK, 3/8-16 X 7/16 THK,SST
5	FNE038016044SS	NUT-NYLOCK, 3/8-16 X 7/16 THK,SST
5	FNE038016044SS	NUT-NYLOCK, 3/8-16 X 7/16 THK,SST
5	FNE038016044SS	NUT-NYLOCK, 3/8-16 X 7/16 THK,SST
5	FNE038016044SS	NUT-NYLOCK, 3/8-16 X 7/16 THK,SST
6	3006968	BRACKET,SST COVER LATCH W/HOLES
6	3006968	BRACKET,SST COVER LATCH W/HOLES
8	FCS038016100SS	SCREW CAP-3/8IN-16 X 1IN, HEX HEAD, SST
8	FCS038016100SS	SCREW CAP-3/8IN-16 X 1IN, HEX HEAD, SST
9	3031436	REPLACEMENT 9 INCH DRIVERS SIDE DISCHARGE AUGER FOR SALTDogg® SPREADER
10	3031444	SCREEN,WELDMNT,UTS STD DISCHARGE
11	3031446	PLATE,SPINNER COVER,SST 9IN AUGER
12	1420016	HAIR SPRING COTTER PIN,
12	1420016	HAIR SPRING COTTER PIN,
12	1420016	HAIR SPRING COTTER PIN,
13	3022533	BRACKET,UTS SCREEN MOUNT
13	3022533	BRACKET,UTS SCREEN MOUNT
14	3027109	ROD,LATCH,UTS TRAY SST CW
15	3027110	ROD,LATCH,UTS TRAY SST CCW
16	3001247	NUT,HEX,NYLON INSERT, 5/8-11
16	3001247	NUT,HEX,NYLON INSERT, 5/8-11
17	3007068	SCREW,CAP,HEX HD,3/8-16X 3 SST
17	3007068	SCREW,CAP,HEX HD,3/8-16X 3 SST
18	4F24SCR	SET SCREW LOCKING FLANGE BEARING (4 BOLT)
19	3031463	GASKET,FELT,BEARING
20	FCS050013150SS	SCREW,HHC 1/2-13 X 1-1/2,SST
20	FCS050013150SS	SCREW,HHC 1/2-13 X 1-1/2,SST
21	3001523	NUT,HEX, SERRATED FLANGE,1/2-13, SST
21	3001523	NUT,HEX, SERRATED FLANGE,1/2-13, SST
22	3008549	SCREW,HEX HD CAP,1/4-20 X .500IN, SST
23	FWL025050006SS	WASHER,SPLIT LOCK,1/4IN,SST
24	3008523	BALL VALVE ASSEMBLY,UTS
25	3017828	PLATE,MOTOR MOUNT,
26	3001522	BOLT,CARRIAGE,1/2-13 X 1 SST
27	FNE050013053SS	NUT, ELASTIC STOP,1/2-13,SST
28	3031464	REPLACEMENT 4-BOLT 45.6 CIPR HYDRAULIC MOTOR
29	3031448	PLATE,COVER,BTM TRAY UTS SST
30	HP12	REPLACEMENT COTTER PIN
31	3017829	ADAPTER,AUGER MOTOR,UTS
32	3031447	SLEEVE, AUGER ADAPTER
33	92401213	NUT,REVERSIBLE HEX LOCK, 1/2-13
34	3005140	SCREW,HEX HD CAP,1/2-13X3.5 GR 5,ZINC

### MAIN ASSEMBLY, 9IN AUGER

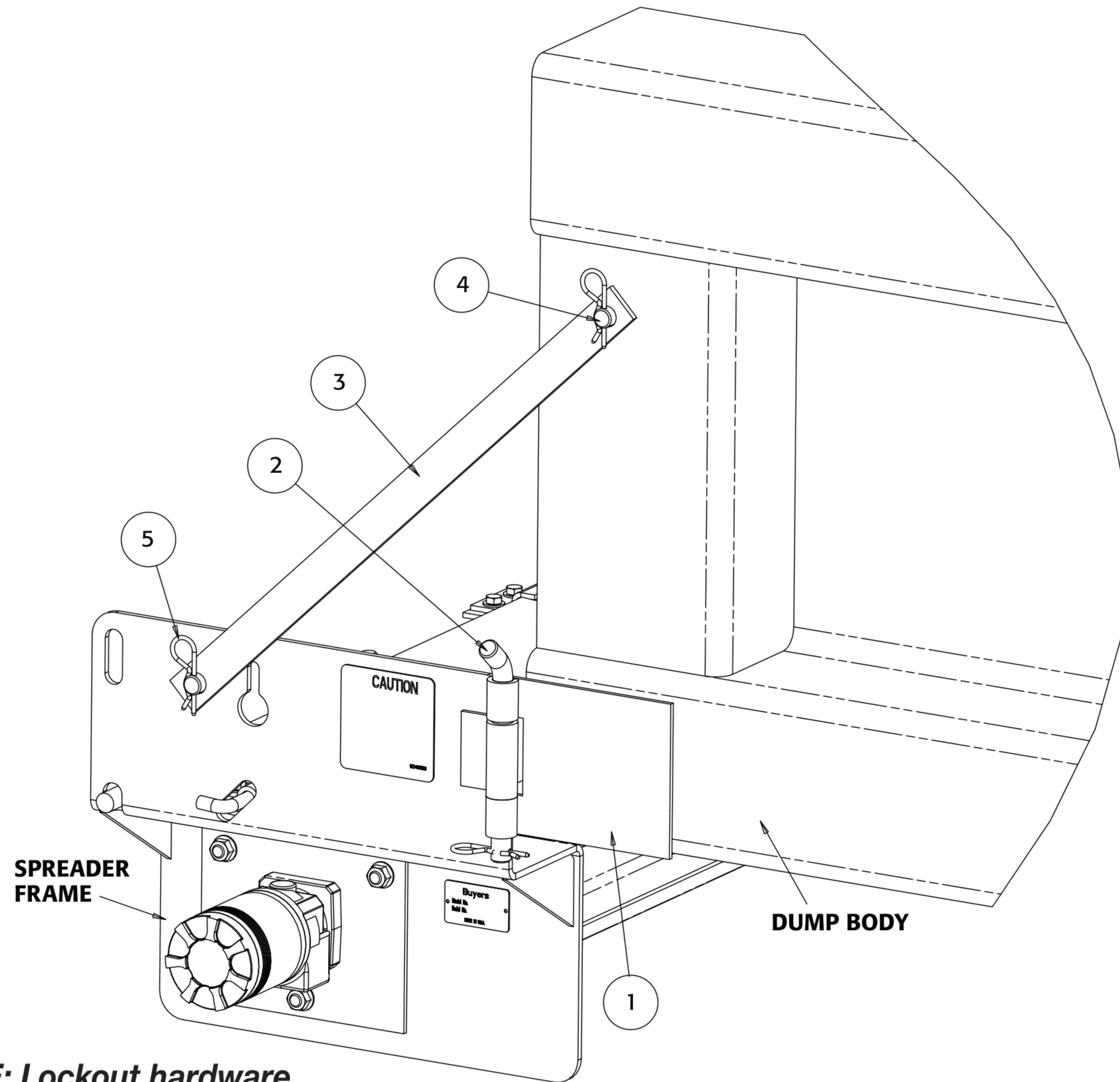
92452SSA / 92450SSA



REF	PN	DESCRIPTION
1	3018416	SPINNER FRAME ASSY
2	3006659	SPINNER SHIELD
3	3001472A	SPINNER DISK ASSY
4	924F0012	WELDED LINKAGE RODS
5	3006646	HINGE ROD
6	3006645	SPINNER LUG
7	924F0014	BAR
8	3011137	HANGER BRACE BAR
9	3009526	MOUNTING PLATE
10	3011139	HINGE PIN
11	3017834	HARDWARE BAG
12	3017175	HEIGHT ADJUSTMENT BRACKET

## SPINNER ASSEMBLY

REF	PN	DESCRIPTION
9	3009526	QUICK DETACH PLATE
10	3011139	HINGE PIN
11	3011137	HANGER IRON BRACE
12	3000210	PIN BRACE
13	HP12	HAIR PINE COTTER 5/32IN



**NOTE: Lockout hardware  
is not shown**

## ATTACHMENT HARDWARE

92452SSA / 92450SSA / 92430SSA / 92429SSA / 92428SSA / 92427SSA / 92426SSA / 92425SSA / 92422SSA / 92421SSA / 92420SSA